

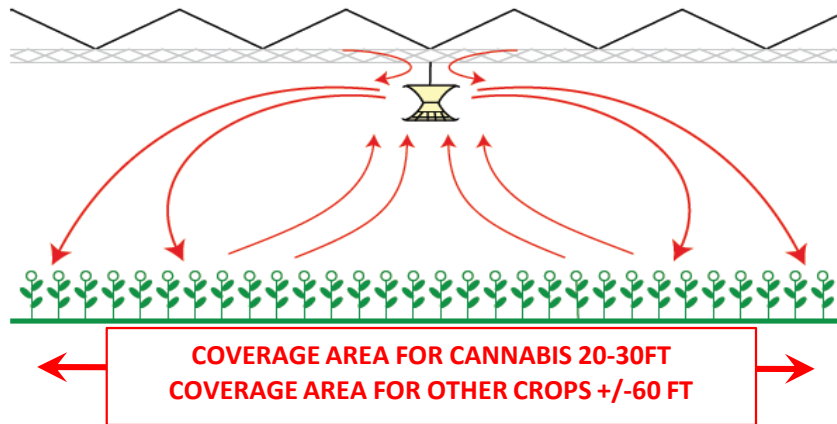
# Multifan V-FloFan

## FOR AN OPTIMAL, VERTICAL VENTILATION IN GREENHOUSES

In modern greenhouses ventilation plays a vital role. Through recirculation of air, heat distribution in the greenhouses is optimized, which enhances a uniform development of the crops, independent of the location.

Because of several energy technical improvements in modern greenhouses and more intensive cultivation methods, the necessity of controlling humidity levels on crop level increases.

The V-FloFan offers the grower the opportunity to reduce the negative impacts, due to humidity, in a simple and energy efficient way. The vertical and horizontal airflows result into an active microclimate on crop level.



- REDUCED HEATING COSTS • LESS TURBULENT AIRFLOW
- LOWER HUMIDITY AND CONDENSATION
- UNIFORM AIR DISTRIBUTION THROUGHOUT THE STRUCTURE
- GREENHOUSE, INDUSTRIAL AND AGRICULTURAL APPLICATIONS



PART #	DIA.	VOLT	PHS	AMPS	RPM	dB	CFM
E54-4134Q6	16" (6 POLE / 8FIN)	120	1	2	1140	47	3060
E54-4234Q6	16" (6 POLE / 8 FIN)	240	1	0.9	1130	47	2970
E54-4234Q6-3	16" (6 POLE / 8 FIN)	208-480	3	0.9-0.5	1140	47	3120
E50-0342	16" V-FLO OPTIONAL MTG SUPPORT						

**Multifan**



# V-FloFan

Vertical circulation



**VOSTERMANS**  
VENTILATION

YOUR SPECIALIST IN AIR

# Multifan V-FloFan

## Vertical circulation for a uniform mix of horizontal air layers

The Multifan V-FloFan has been specifically developed for 'Next Generation Growing' (NGG) in the horticultural sector, which aims to create a uniform climate and to generate an air movement layer between the plants as efficiently as possible. The V-FloFan succeeds in these goals by blowing down the warm air from the ridge of a greenhouse or building, helping you save on heating costs. In addition, a constant low airspeed is created close to the ground. This not only improves the greenhouse climate but also helps to improve the living conditions of, for example, poultry.



### Why choose this fan

- Results in an active microclimate close to the ground
- For a uniform indoor climate
- Controls the humidity level
- Reduces the energy costs through vertical airflow
- Easy installation
- Easy maintenance
- Extremely durable fan: 3-year warranty



### Features

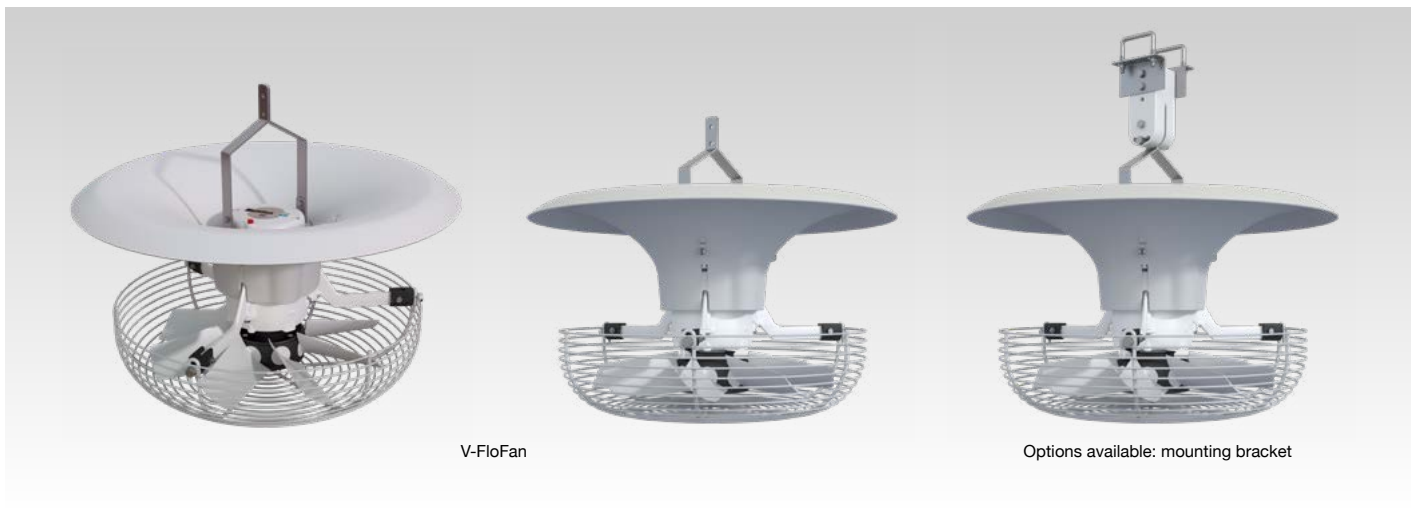
- Aerodynamic shaped conical outlet for optimal vertical airflow
- Reflecting white color for optimal results in greenhouses
- IP55 motor (water and dust resistant)
- Low noise

### Applications

- Agricultural: Poultry
- Horticultural: Greenhouse

### Options available

- Mounting brackets for easy installation
- Power



V-FloFan

Options available: mounting bracket



## Technical data single-phase

Article	ø (inch)	Power supply			(n) RPM	P <sub>in</sub> (W)	I <sub>nom</sub> (A)		Q <sub>v</sub> (cfm)	cfm/watt @0SP	dB(A) *	Control options **
		~	V	Hz								
T6E40A2M81160	16	1~	230V	50Hz	950	165	1,0		2,970	18.0	45	E / T
T6E40K0M81160	16	1~	240V	60Hz	1,130	205	0,9		3,060	15.1	47	E / T
T6E40K1M81160	16	1~	120V	60Hz	1,140	215	2,0		3,060	14.4	47	E / T

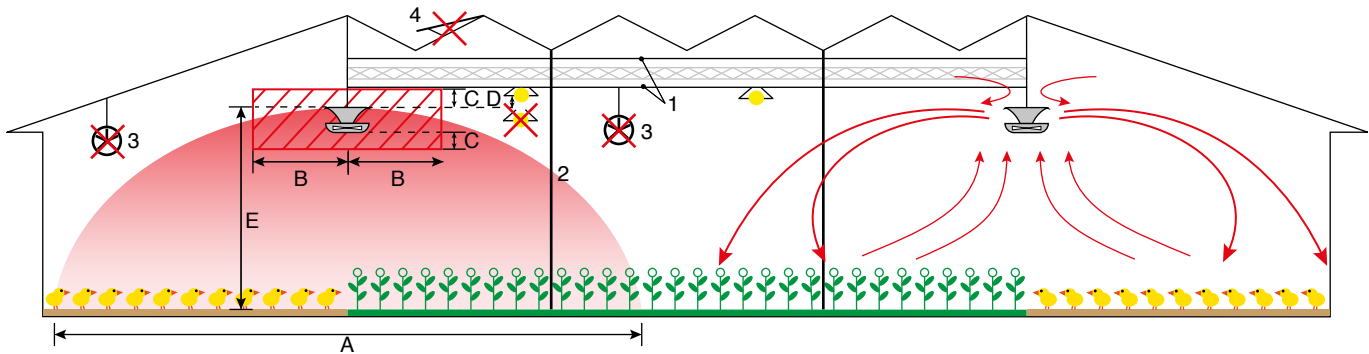
## Technical data three-phase

Article	ø (inch)	Power supply			(n) RPM	P <sub>in</sub> (W)	I <sub>nom</sub> (A)		Q <sub>v</sub> (cfm)	cfm/watt @0SP	dB(A) *	Control options **
		~	V (Δ / Y)	Hz			Δ	Y				
T6D40A0M81160	16	3~	230/400V	50Hz	955	155	0,9	0,5	2,970	19.2	45	T
T6D40K2M81160	16	3~	240/420V	60Hz	1,135	190	0,8	0,45	3,060	16.2	47	T
T6D40K3M81160	16	3~	265/460V	60Hz	1,145	200	0,9	0,5	3,120	15.7	48	T

\* Sound pressure level (LpA) at 23 feet distance from the center of the fan

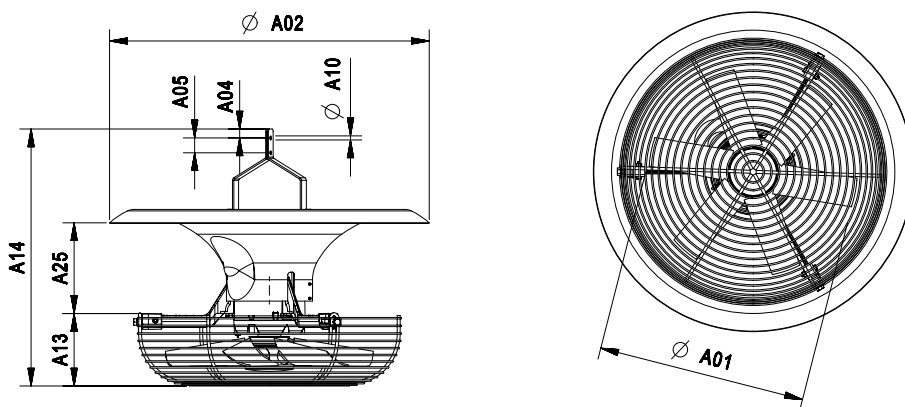
\*\* Transformer Voltage Control (T), Frequency Control (F), Electronic / Triac / Solid State Voltage Control (E)

## Installation guidelines



A	+/- 60 feet	1	Screens
B	Minimum 6.5 feet	2	Pillar
C	Minimum 1.7 feet	3	Do not combine horizontal fans with the V-FloFan
D	> 0 feet	4	Other air flows can influence the effect of the V-FloFan
E	We recommend a max. installation height of 3.5 feet for optimal results		

## Dimensions (inch)



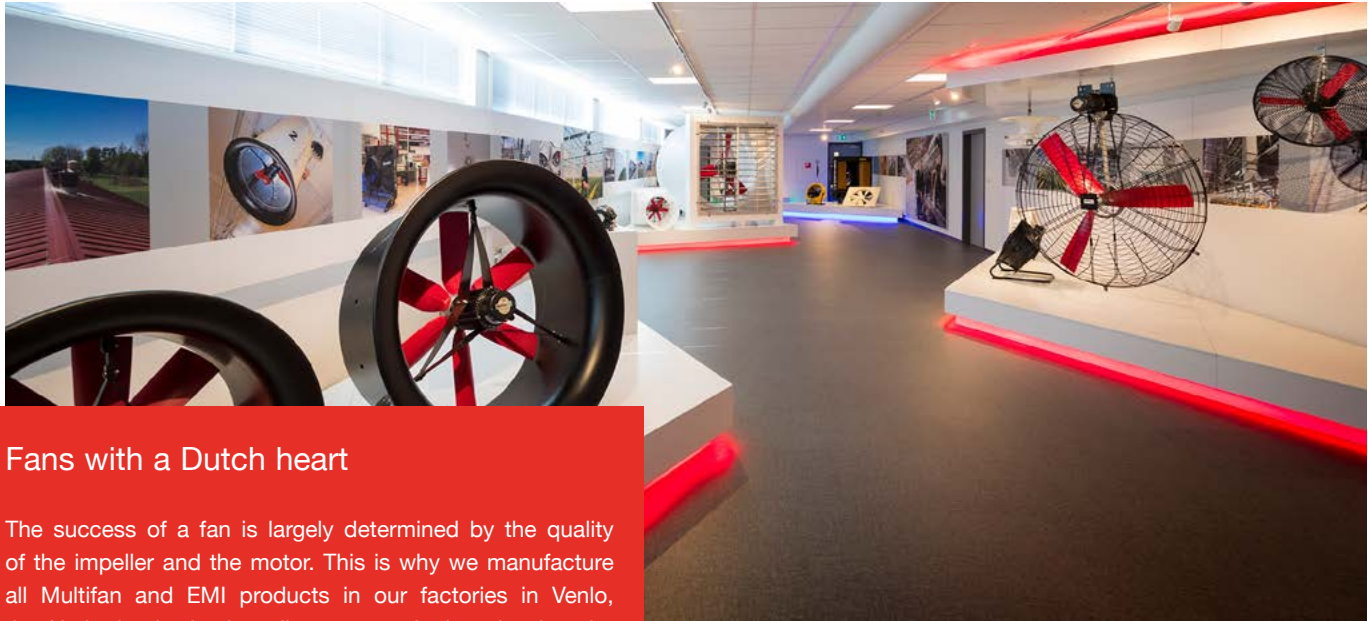
ø (inch)	A01	A02	A04	A05	A10	A13	A14	A25
16	16 1/2	25 1/2	3/4	1 3/16	5/16	5 3/4	21 1/4	7 1/4



## Service

As a family business, we believe it is important to build long-term relationships with our customers. That is why we attach great importance to our customers being helped quickly and effectively when a problem arises. The QR code on the back of the fan motor is an ideal tool for this. By scanning this QR code, you get insight into the most important fan specifications and a list of spare parts.

In addition, we offer many extras online to support you. This includes specific product information and our online product selector, in which you can select the right fan for your specific situation. You can always contact us via [www.vostermans.com/contact](http://www.vostermans.com/contact) with questions, or follow us through our social media channels to stay up to date with the latest news.



## Fans with a Dutch heart

The success of a fan is largely determined by the quality of the impeller and the motor. This is why we manufacture all Multifan and EMI products in our factories in Venlo, the Netherlands. It also allows us to further develop the manufacturing process efficiently and guarantee the highest quality standards. Because we get large fan components, such as the housing, from the customer's region, we are able to keep the price of our fans as competitive as possible.

### Why choose Vostermans Ventilation:

#### LOYAL TO YOU

We care for your specific needs based on our long expertise. In close cooperation with you we secure your business outcomes.

#### RELIABLE

Since our foundation in the Netherlands in 1952, we maintain our reputation as reliable partner. Our carefully selected global network of independent distributors strive to deliver you dedicated service and expertise.

#### FUTURE PROOF

Our future proof approach, which combines energy efficiency solutions with robust quality and rigorous testing, is based on a genuine commitment to serve as a trusted partner.

Vostermans Ventilation is a global developer and manufacturer of sustainable axial fans for the agricultural and industrial market. Sustainability is key for Vostermans. Their premium brandlines Multifan and EMI are showcasing the drive for advanced energy efficient fans. The company applies continuous innovation and research in their own motor production facility and in house state of the art R&D department. Vostermans Ventilation, part of Vostermans Companies founded in 1952, is based in Venlo, the Netherlands and operates in USA, China and Malaysia.



YOUR SPECIALIST IN AIR

All rights reserved. Vostermans Companies is not responsible for inaccurate or incomplete data. In case of any questions and / or remarks please contact [ventilation@vostermans.com](mailto:ventilation@vostermans.com). Subject to alterations 03/2021

Venlo - The Netherlands  
Tel. +31 (0)77 389 32 32  
[ventilation@vostermans.com](mailto:ventilation@vostermans.com)

Bloomington - USA  
Tel. +1 309 827-9798  
[ventilation@vostermansusa.com](mailto:ventilation@vostermansusa.com)

Tmn Klang Jaya - Malaysia  
Tel. +60 (0)3 3324 3638  
[ventilation@vostermansasia.com](mailto:ventilation@vostermansasia.com)

Shanghai - China  
Tel. +86 21 5290 2889/2899  
[ventilation@vostermanschina.com](mailto:ventilation@vostermanschina.com)