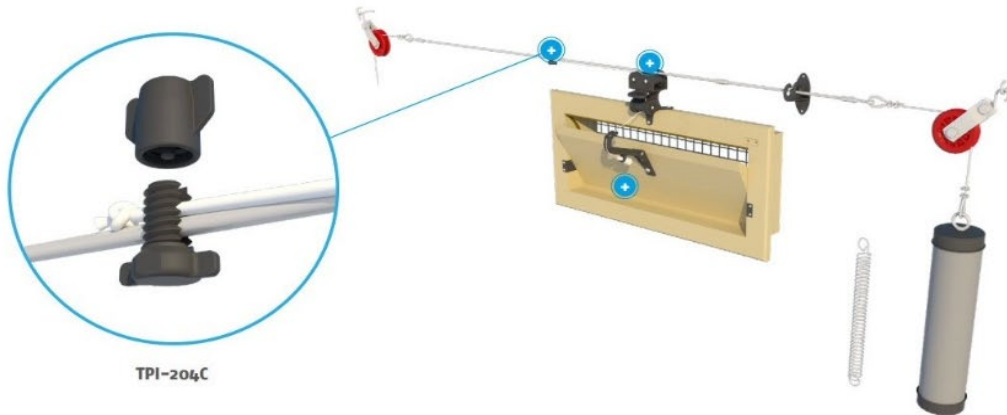




IMPORTANT



TPI-204C Connection Set E65-32204C



Previously included with TPI Wall and Ceiling Inlets the connection set will now be listed as an optional item and will need to be ordered separately if required. Set includes the 2 piece thumb nut and nylon rope for connecting to the main cable.

****1 connection set per inlet door required****



254 Thames Road East Exeter, ON. N0M-1S3
 (519) 235-1431 / 1-866-335-1431
 Email: sales@exacon.ca www.exaconinc.ca

TPI WALL INLET VALVES

PART #	DESCRIPTION	CFM @ 0.05 / 0.10 SP	R.S.O.
E65-3018VFG-C	1800 VFG-C INLET (central arm)	1,184 / 1,642	21-3/4"W x 16-1/2"H
E65-3030VFG-C	3000 VFG-C INLET (central arm)	1,908 / 2,693	34-1/2"W x 15-1/4"H
E65-3030FG-C	3000 FG-C (reverse flange)	1,908 / 2,693	34-1/2"W x 15-1/2"H
E65-32204C	TPI-204C CONNECTION SET (2PC THUMB NUT & ROPE)		

NEW IN 2026

CONNECTION SETS MUST BE ORDERED SEPARATELY.

1 REQ'D PER INLET DOOR



MODEL 220-P CORRIDOR INLET

Air inlet valve designed for installation in the ceiling. **This execution however, is especially suitable for the installation above corridors.** The vertical air stream from the inlets guides the relative cold incoming air to the corridor; preventing it to drop directly on the animals.



PART #	DESCRIPTION	CFM	R.S.O.
E65-300220-P	CORRIDOR INLET	1945 @.08SP	12.50"W x 35"L

ACCESSORIES

PART #	DESCRIPTION
E65-32280	2PC BLACK PLASTIC CONTROL ARM
E65-32280Z	1PC BLACK PLASTIC CONTROL ARM <u>WITHOUT BASE</u> (ST.ST. HARDWARE EXTRA)

OPTIONAL

E65-32519	TPI-519 MAIN CABLE SUPPORT
E65-32414	TPI-414 STAINLESS CENTER PULLEY/SUPPORT (OPTIONAL)
E65-32111	TPI-111 WIRE MESH (1800)
E65-32103	TPI-103 WIRE MESH (3000)
E65-0667	NYLON INLET BLOCK
E65-32423	TPI-423 DELUXE PULLEY W/INTEGRATED CLOSING LATCH
E65-32423AERON	TPI-423AERON DELUXE PULLEY W/CLOSING LATCH
E65-0290	WALL LINER "EXTENSION" (POLYPROPYLENE) FOR 1800VFG-C 21-1/4" X 16-1/4" X 9" DEEP
E65-0291DV	WALL LINER "EXTENSION" (POLYPROPYLENE) FOR 3000VFG-C 34-1/4" X 15" X 9" DEEP
E65-32307	TPI-307 CLOSING LATCH (recommended)

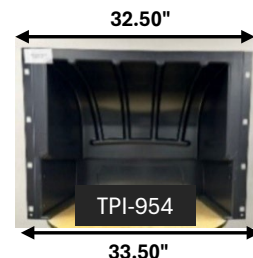


WIND HOODS

PART #	DESCRIPTION	INSIDE FRAMING DIMENSION	TOP	BOTTOM
E65-31145DV	TPI-950 WIND HOOD 145	30-1/2"W X 23-3/4"H X 9-3/4"D	33.25"	33.50"
E65-3130	TPI-951 WIND HOOD 3000	41"W X 28"H X 14"D	44.00"	45.00"
E65-3118	TPI-954 WIND HOOD 1800	29-1/4"W X 28-5/8"H X 15-3/4" D	32.50"	33.50"

OPTIONAL

E52-6782	LIGHT TRAP FOR WH1800 WIND HOOD FRAME SIZE 26" X 15-1/2" UNASSEMBLED
E52-6783	LIGHT TRAP FOR WH3000 WIND HOOD FRAME SIZE 37" X 13-5/8" UNASSEMBLED
E65-32916Z	TPI-916Z LIGHT TRAP BRACKET REQ'D TO SUPPORT LIGHT TRAP IN WH1800 WIND HOOD
E65-32918Z	TPI-918Z LIGHT TRAP BRACKET REQ'D TO SUPPORT LIGHT TRAP IN WH3000 WIND HOOD





254 Thames Road East Exeter, ON. N0M-1S3
 (519) 235-1431 / 1-866-335-1431
 Email: sales@exacon.ca www.exaconinc.ca

TPI MODULAR TUNNEL WALL INLETS VALVES

PART #	DESCRIPTION	CFM @ .07 S.P.	R.S.O.
E65-3060VFG-2	MODEL 6000 VFG-2 (side arms)	*10,300	59-3/4"W x 32"H
E65-3060VFG-3	MODEL 6000 VFG-3 (side arms)	*15,450	59-3/4"W x 48"H

***UNITS CAN BE STACKED TO GIVE MORE CFM**

Example: Stack 6000VFG-2 and 6000VFG-3 results in 25,750 CFM

Stack 2 6000VFG-3 results in 30,900 CFM. This also gives the option of two stage opening

A standard actuator can operate multiple sets of inlets. **CALL FOR DETAILS**



OPERATING HARDWARE REQUIRED

Operating kits include 2 rods and hardware for the inlet arm.

PART #	DESCRIPTION	
E65-32307	TPI-307 CLOSING LATCH (OPTIONAL)	2 PER #6000
E65-32519	TPI-519 MAIN CABLE SUPPORT	2 REQUIRED
E65-32208A	TPI-208A OPENING KIT (6000VFG2)	1 REQ'D PER INLET
E65-32209A	TPI-209A OPENING KIT (6000VFG3)	1 REQ'D PER INLET
E65-32415	TPI-415 WALL BRACKET (6000VFG)	2 REQUIRED
E65-32107	TPI-107 WIRE BIRD MESH (6000VFG)	1 PER SECTION
E57-8320	3-1/2" PULLEY	1 PER TPI-415

It is advisable, in most cases, to build a wind hood on site equal to or larger than the R.S.O of the inlets

TPI CEILING INLET VALVES

PART #	DESCRIPTION	CFM @ .05 / 0.10 SP	R.S.O.
E65-300120P-3DV	MODEL 120-P3 CEILING INLET	918 CFM @ 0.08 SP	9-3/4"W x 25-1/2"L
E65-0294	INSULATION STOP 120-P3		9-1/2" x 25-1/4" x 16"H
**E65-300160P-3	MODEL 160P-3 CEILING INLET	1,053 / 1,478	20-1/4"W x 18-1/2"L
E65-0292	INSULATION STOP 160P-3		19-3/4"W x 18" x 16"H
**E65-300160P-3D	MODEL 160P-3D CEILING INLET	2,106 / 2,955	20-1/4"W x 39-1/2"L
E65-0293	INSULATION STOP 160P-3D		19-3/4"W x 39-1/4" x 16"H
E65-32204C	TPI-204C CONNECTION SET (2PC THUMB NUT & ROPE)		



NEW IN 2026
CONNECTION SETS
MUST BE ORDERED
SEPARATELY.

1 REQ'D PER INLET
DOOR

All prices and availability are subject to change without notice due to supplier increases, market conditions, fuel costs, exchange rate fluctuations, and other economic factors; please contact our office for a current quotation to confirm pricing



254 Thames Road East Exeter, ON. N0M-1S3
 (519) 235-1431 / 1-866-335-1431
 Email: sales@exacon.ca www.exaconinc.ca

TPI OMNIFLUX 'SLIDE' INLET

PART #	DESCRIPTION	CFM @ 0.05 / 0.10 SP	R.S.O.
E65-3040OMFXDV	OMNIFLUX SLIDE INLET	2,106 / 2,922	30.5"W x 19"H
	COMPLETE WITH MESH, AND PULLEY UNIT WITH INTEGRATED CLOSING LATCH		
E65-32204C	TPI-204C CONNECTION SET (2PC THUMB NUT & ROPE)		

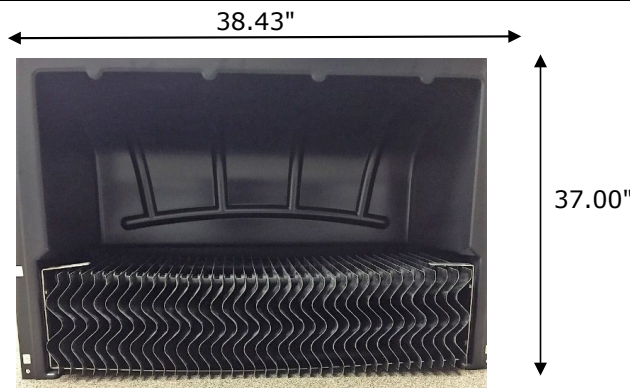


NEW IN 2026
CONNECTION SETS
MUST BE ORDERED
SEPARATELY.

1 REQ'D PER INLET
DOOR

OPTIONAL

PART #	DESCRIPTION
E65-32117	TPI-117 WIRE MESH
E65-32422	TPI-422 OMNIFLUX PULLEY W/LATCH
E65-3140	TPI-952 WIND HOOD 4000 (USE WITH LIGHT TRAP) Dimension below
E65-3130	TPI-951 WIND HOOD 3000 (USE WITHOUT LIGHT TRAP)
E52-6784	LIGHT TRAP FOR WH4000 WIND HOOD (FRAME SIZE 34" X 25.50" UNASSEMBLED)
E65-32919Z	TPI-919Z SUPPORT BRACKET (REQUIRED TO SUPPORT LIGHT TRAP IN WH4000 WIND HOOD)



WH4000
 24.00" DEPTH

All prices and availability are subject to change without notice due to supplier increases, market conditions, fuel costs, exchange rate fluctuations, and other economic factors; please contact our office for a current quotation to confirm pricing and availability.

TPI VENTUM WALL INLET

Six reasons to choose for the Ventum **Central control arm**

The plastic central control arm is used to operate the inner flap. With the nylon bolt and nut small adjustments can be made. This arm is universally used for all of our inlets.



Air leakage prevention

With seals on the side of the inner flap and the house air leakage is prevented. The seals are wear resistant and will not stretch or shrink. This guarantees a perfect seal for years and optimal airflow control.

Optimized air flow

The rounded edges on the back of the house considerably reduce resistance. This increases the capacity and improves the air flow.

Curved inner flap

The inner valve of the Ventum is equipped with flanges on the side to optimize air throw during minimum ventilation. The wave shaped inner flap is bottom hinged and during maximum ventilation also guides air downwards to the birds.



High insulation value

TPI-Polytechnics uses a unique polyurethane formula. This ensures optimal insulation values and a strong outer skin. The insulation values also prevent condensation and guarantee optimal performance in all climate conditions.

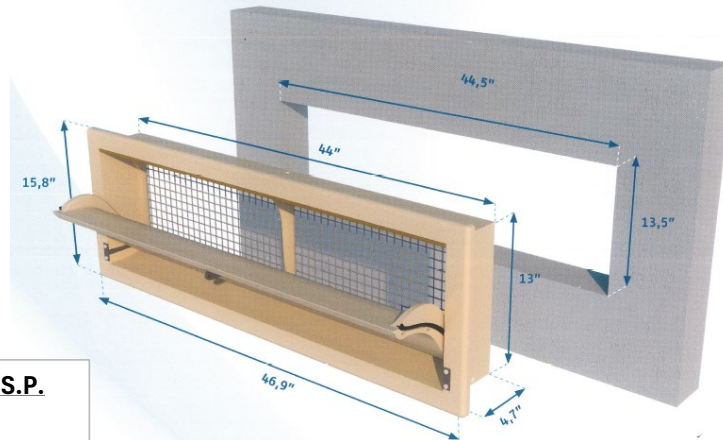
Recognizable quality



E65-32519



CFM @ 0.05 S.P. / 0.10 S.P.
2,290 / 3,218



PART #	DESCRIPTION	R.S.O.
E65-3050VNTMY	VENTUM WALL INLET (13"H X 44"W)	13.5" X 44.5" W
E65-32204C	TPI-204C CONNECTION SET (2PC THUMB NUT & ROPE)	
OPTIONAL		
E65-32519	TPI-519 MAIN CABLE SUPPORT	
E65-32423	TPI-423 DELUXE PULLEY W/CLOSING LATCH	
E65-32955	TPI-955 WIND HOOD FOR AERON/VENTUM (OPTIONAL)	
E65-0667	NYLON INLET BLOCK	
E65-32119	TPI-119 WIRE MESH	

NEW IN 2026
CONNECTION
SETS MUST BE
ORDERED
SEPARATELY.

1 REQ'D PER
INLET DOOR

SEE BOTTOM OF PAGE 6.5a (LIGHT TRAP & BRACKET)

All prices and availability are subject to change without notice due to supplier increases, market conditions, fuel costs, exchange rate fluctuations, and other economic factors; please contact our office for a current quotation to confirm pricing and availability.



254 Thames Road East Exeter, ON. N0M-1S3
 (519) 235-1431 / 1-866-335-1431
 Email: sales@exacon.ca www.exaconinc.ca



AERON INLET



The Aeron inlet's unique shape and design provides the optimal combination of capacity and airflow, giving you control over airspeed, volume and direction from minimum to maximum ventilation.

Minimum ventilation can be tricky in cold climates, the "W" shape of the Aeron inlet produces 2 "jets" of fresh incoming air which are guided upwards to the center of the house preventing cold air from dropping directly onto the animals. When the flap is open over 30% (maximum ventilation) air is also directed under the flap downwards which provides a cooling effect.



CFM @		
0.05" SP	0.10" SP	0.15" SP
2,040	2,890	3,552

NEW IN 2026
CONNECTION SETS MUST BE ORDERED SEPARATELY.
1 REQ'D PER INLET DOOR

PART #	DESCRIPTION	R.S.O.
E65-300AERON	AERON WALL INLET	40-1/4"W x 16-1/2"H
E65-32204C	TPI-204C CONNECTION SET (2PC THUMB NUT & ROPE)	
E65-32423AERON	TPI-423AERON DELUXE PULLEY W/CLOSING LATCH (OPTIONAL)	
E65-32120	TPI-120 WIRE MESH (OPTIONAL)	
E65-32955	TPI-955 WIND HOOD FOR AERON/VENTUM (OPTIONAL)	53.78"W x 33.85"H x 15.59"D (52.60" MTG HOLE TO MTG HOLE)
E52-6785	LIGHT TRAP FOR TPI-955 WIND HOOD	
E65-32919Z	TPI-919Z SUPPORT BRACKET (TPI-955 WIND HOOD)	

All prices and availability are subject to change without notice due to supplier increases, market conditions, fuel costs, exchange rate fluctuations, and other economic factors; please contact our office for a current quotation to confirm pricing and availability.

VUELA INLET



PART #	DESCRIPTION	R.S.O.
E65-300VUELA	VUELA WALL INLET	26.125"W X 11.25"H
E65-32204C	TPI-204C CONNECTION SET (2PC THUMB NUT & ROPE)	

NEW IN 2026
CONNECTION SETS MUST BE ORDERED SEPARATELY.

OPTIONAL

E65-32519	TPI-519 MAIN CABLE SUPPORT
E65-32423	TPI-423 DELUXE PULLEY W/CLOSING LATCH
E65-32955	TPI-955 WIND HOOD FOR AERON/VENTUM (OPTIONAL)
E65-0667	NYLON INLET BLOCK
E65-32121	TPI-121 WIRE MESH (VUELA)
E65-31145DV	TPI-950 WIND HOOD 145



Efficiency and cooling

Operating at maximum capacity, the Vuela's air jets bring cool air into the facility, making animals more comfortable. With a maximum capacity of 1887 cfm at 0.15 SP at full opening, it ensures efficient ventilation.

Built to last

Equipped with the latest accessories and seals, the Vuela guarantees longevity and optimal performance. It's new pulley unit, constructed from durable ABS, features integrated closing features for secure cleaning. The design and exclusive polyurethane material ensures not only high quality and a high insulation value but it is also resistant to chemicals and high-pressure cleaning.

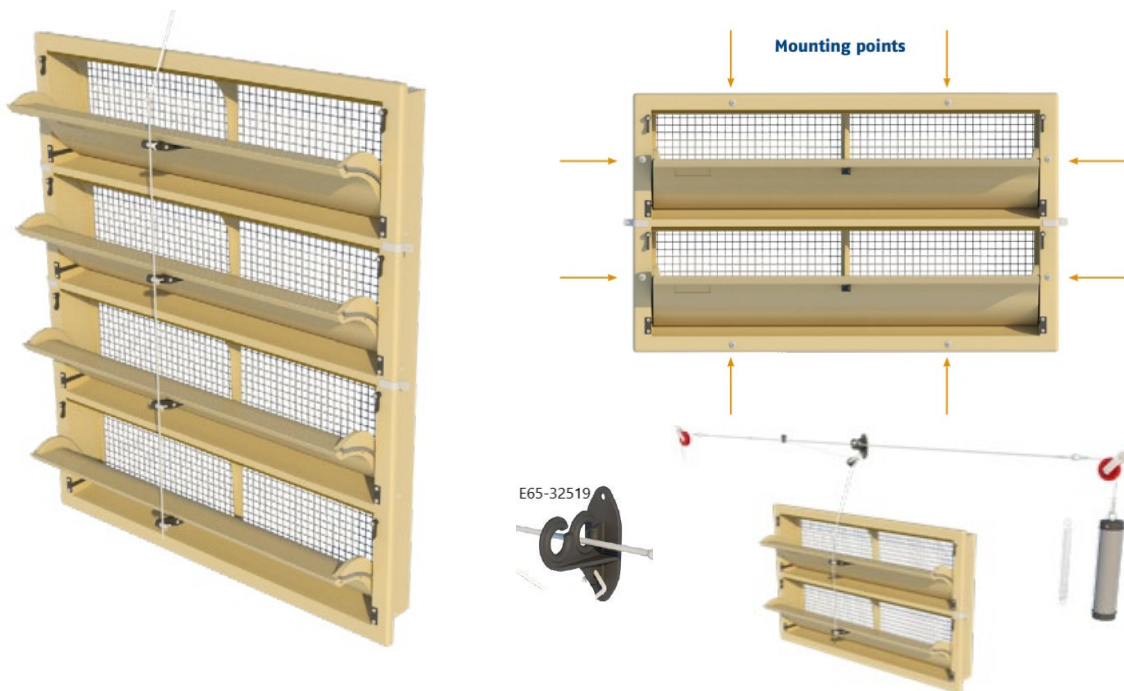
Capacity at minimum opening 7°		Capacity at maximum opening 90°	
	cfm @ 0.05 SP 55		cfm @ 0.05 SP 1090
	cfm @ 0.10 SP 78		cfm @ 0.10 SP 1541
	cfm @ 0.15 SP 96		cfm @ 0.15 SP 1887

All prices and availability are subject to change without notice due to supplier increases, market conditions, fuel costs, exchange rate fluctuations, and other economic factors; please contact our office for a current quotation to confirm pricing and availability.

TPI VENTUM TUNNEL INLET

Tunnel ventilation is mostly used in combination with other ventilation concepts. This concept is perfect for cooling birds during hot summer days or when approaching max weight.

The dimensions of the Ventum are more universal making it easily usable in renovation projects where existing inlets need replacement. This inlet is suitable mostly for poultry houses since the curved inner valve helps to guide air downwards to the birds during maximum ventilation. The valve and frame of this inlet is equipped with wear resistant stripping all around to prevent air leakage and the curved inner corners of the frame help to optimize air intake. The unique polyurethane formula and the use of air seals assures optimum insulation making the inlet ideal for extremely low temperatures



PART #	DESCRIPTION	CFM @ 0.08 S.P.	R.S.O.
E65-3050VNT-5	VENTUM-5 TUNNEL INLET	14,420	65.5"H x 44.75"W
E65-3050VNT-B	VENTUM BOTTOM (NO TOP FLANGE)	2,884	
E65-3050VNT-M	VENTUM MIDDLE (NO TOP/BOT FLG)	2,884	
E65-3050VNT-T	VENTUM TOP (NO BOTTOM FLANGE)	2,884	
E65-3050VNT-4	VENTUM-4 TUNNEL INLET	11,536	52.5"H x 44.75"W
E65-3050VNT-3	VENTUM-3 TUNNEL INLET	8,652	39.5"H x 44.75"W
E65-3050VNT-2	VENTUM-2 TUNNEL INLET	5,768	26.5"H x 44.75"W
VENTUM CONNECTION SETS AND HARDWARE			
E65-32222	TPI-222 CONN ST. VENTUM-2 UNIT		
E65-32223	TPI-223 CONN ST. VENTUM-3 UNIT		
E65-32224	TPI-224 CONN ST. VENTUM-4 UNIT		
E65-32225	TPI-225 CONN ST. VENTUM-5 UNIT		
E65-32519	TPI-519 MAIN CABLE SUPPORT		

All prices and availability are subject to change without notice due to supplier increases, market conditions, fuel costs, exchange rate fluctuations, and other economic factors; please contact our office for a current quotation to confirm pricing