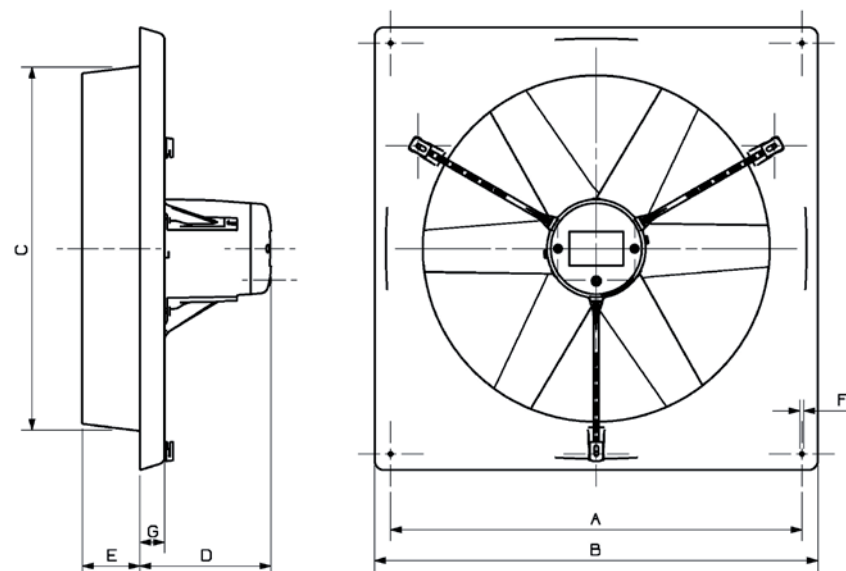


Dimensions

Impeller range (inch)	Number of poles	Size (inch)							Dimensions packing (inch) (L x W x H)
		A	B	C	D max	E	F	G	
12	2, 4	15.56	17.43	13.40	(7.56)	3.31	0.30	1.42	17.93x17.93x12.25
14	2, 4	17.53	19.40	15.37	(7.56)	3.31	0.30	1.42	19.90x19.90x12.25
16	4, 6	19.50	21.37	17.34	(7.56)	3.31	0.30	1.42	21.87x21.87x12.25
18	4, 6	21.47	23.34	19.31	(7.56)	3.31	0.30	1.42	23.84x13.84x12.25
20	4, 6	23.64	25.51	21.28	(7.56)	3.31	0.30	1.42	25.81x25.81x12.25
22	4, 6	25.22	27.58	23.64	9.73	4.14	0.39	1.58	27.17x28.17x12.25
24	4, 6	28.17	30.54	26.40	9.73	4.14	0.39	1.58	31.13x31.13x15.60
28	4, 6, 9	31.13	33.49	29.16	9.73	4.14	0.39	1.58	34.08x34.08x15.60
36	6, 9	37.31	39.60	37.04	9.73	3.36	0.39	1.58	motor: 14.61x8.75x8.51 frame: 41.37x41.37x6.70

Dimensional Scheme



Multifan

VOSTERMANS
VENTILATION

Technical data
60 Hz
standard program
CFM



VOSTERMANS
VENTILATION

Vostermans Ventilation B.V.
P.O. Box 3025
NL-5902 RA Venlo – Holland
Tel. +31 (0)77 389 32 32
Fax +31 (0)77 382 08 93
ventilation@vostermans.com
www.vostermans.com

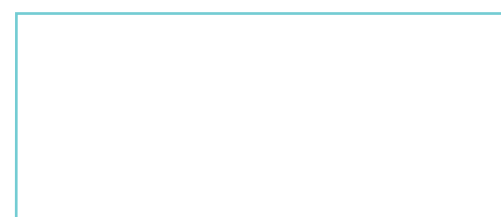
Vostermans Ventilation S.A.R.L.
B.P. 1801
27018 Evreux Cedex
France
Tel. +33 (0)2 32 38 11 00
Fax +33 (0)2 32 33 37 12
ventilation@vostermansfrance.com
www.vostermans.com

Vostermans Ventilation Inc.
2439 S.Main St. – USA
Bloomington, IL 61704
Tel. +1 309 827 - 9798
Fax +1 309 829 - 1993
ventilation@vostermansusa.com
www.vostermansusa.com

Vostermans Ventilation Sdn. Bhd.
330, Lot 2593, Jln Seruling 59, Kws3,
Tmn Klang Jaya, 41200, Klang,
Selangor D.E., Malaysia
Tel. +60 (0)33324 3638 (HL)
Fax +60 (0)33324 1239
ventilation@vostermansasia.com
www.vostermans.com

Vostermans Ventilation B.V. develops, manufactures and distributes the full line of:

Multifan



All rights reserved. Vostermans Companies is not responsible for inaccurate or incomplete data. In case of questions and / or regards, please contact ventilation@vostermans.com

Subject to alterations 05/2014



SPECIALIST IN AIR



Technical Data single phase 120 V / 60 Hz (CFM)

	ø (inch)	Type	Multifan code	I _{nom} (A)	I _{max} (A)	P _{in} (W)	Controllability (*)	CFM/W at 0 SP	Cond. uF/250	0.10 SP			
										0 SP	0.10 SP	0.20 SP	
1 ~120V 60 Hz	1600 RPM	10"	4E25	V4E25KØ	1.0	1.0	70	E/T	11.7	6.0	820	710	
		12"	4E30	V4E30KØ	1.0	1.2	100	E/T	13.9	8.0	1,300	1,200	1,100
		14"	4E35	V4E35KØ	1.7	2.0	170	E/T	12.8	12.0	2,150	2,000	1,850
		16"	4E40	V4E40KØ	2.2	2.5	250	E/T	12.0	20.0	2,950	2,750	2,550
		18"	4E45	V4E45KØ	2.9	3.2	300	E/T	12.5	25.0	3,750	3,500	3,250
		20"	4E50	V4E50KØ	3.3	4.2	410	E/T	11.9	20.0	4,900	4,550	4,200
	1000 RPM	24"	6E63	V6E63KØ	5.9	6.7	710	E/T	10.4	56.0	7,350	6,875	6,400



Technical Data three phase 240/420 V / 60 Hz (CFM)

	ø (inch)	Type	Multifan code	I _{nom} (A) 240 V	I _{nom} (A) 420 V	I _{max} (A)	P _{in} (W)	Controllability (*)	L _p dB(A) (**)	CFM/W	0.10 SP								
											0 SP	0.05 SP	0.10 SP	0.125 SP	0.15 SP	0.20 SP	0.25 SP	0.50 SP	
3 ~240/420V 60 Hz	1600 RPM	12"	4D30	V4D30KØ	0.45	0.26	0.50/0.29	110	T	45	12.7	1,400	1,340	1,280	1,250	1,220	1,150	-	-
		14"	4D35	V4D35KØ	0.83	0.48	0.91/0.53	180	T	47	12.2	2,200	2,140	2,070	2,030	1,990	1,920	1,830	-
		16"	4D40	V4D40KØ	0.88	0.51	0.97/0.56	220	T	50	13.0	2,860	2,760	2,670	2,620	2,570	2,470	2,360	-
		18"	4D45	V4D45KØ	1.06	0.61	1.16/0.67	280	T	52	13.3	3,720	3,600	3,490	3,430	3,370	3,230	3,060	-
		20"	4D50	V4D50KØ	1.63	0.94	1.80/1.04	420	T	56	11.7	4,910	4,790	4,670	4,600	4,530	4,400	4,250	-
		22"	4D56	V4D56KØ	3.65	2.11	4.02/2.32	1,180	T	62	6.6	7,800	7,650	7,500	7,400	7,350	7,200	7,050	6,150
		24"	4D63	V4D63K	5.42	3.13	5.96/3.44	1,690	T	66	6.3	10,600	10,500	10,300	10,200	10,100	9,950	9,750	8,800
		28"	4D71	V4D71KØ	7.67	4.43	8.66/5.00	2,430	-	70	5.4	13,600	13,400	13,200	13,100	13,000	12,800	12,500	11,500
	1000 RPM	20"	6D50	V6D50KØ	1.21	0.70	1.33/0.77	330	T	49	12.7	4,200	4,040	3,820	3,730	3,590	3,310	3,010	
		22"	6D56	V6D56KØ	1.39	0.80	1.52/0.88	430	T	52	10.4	4,480	4,290	4,070	3,950	3,850	3,590	3,280	
		24"	6D63	V6D63KØ	2.29	1.32	2.51/1.45	670	T	54	11.4	7,650	7,400	7,100	6,900	6,750	6,450	6,100	
		28"	6D71	V6D71KØ	3.19	1.84	3.81/2.20	943	T	56	10.6	10,000	9,600	9,250	9,000	8,850	8,450	8,050	
	800 RPM	28"	8D71	V8D71KØ	2.60	1.50	3.12/1.80	580	T	56	14.9	8,650	8,200	7,700	7,500	7,300	6,650	6,100	
		36"	8D92-3PP-21	V8D92KØ	3.83	2.21	4.21/2.43	780	T	61	15.4	12,000	11,400	10,700	10,400	10,000	9,250	8,350	

Technical Data single phase 240 V / 60 Hz (CFM)

	ø (inch)	Type	Multifan code	I _{nom} (A)	I _{max} (A)	P _{in} (W)	Controllability (*)	L _p dB(A) (**)	CFM/W at 0 SP	Cond. uF/400	0.10 SP								
											0 SP	0.05 SP	0.10 SP	0.125 SP	0.15 SP	0.20 SP	0.25 SP	0.50 SP	
1 ~240V 60 Hz	3200 RPM	12"	2E30	V2E30KØ	1.54	1.85	340	E/T	61	6.4	5	2,160	2,100	2,050	2,030	2,000	1,960	1,910	1,670
		14"	2E35	V2E35KØ	1.96	2.35	430	E/T	65	6.8	6	2,930	2,900	2,820	2,790	2,770	2,710	2,650	2,360
	1600 RPM	12"	4E30	V4E30KØ	0.58	0.70	110	E/T	45	12.9	2	1,420	1,360	1,300	1,280	1,260	1,170	-	-
		14"	4E35	V4E35KØ	0.93	1.12	170	E/T	48	12.5	3	2,130	2,060	1,980	1,940	1,900	-	-	-
		16"	4E40	V4E40KØ	1.14	1.37	250	E/T	51	12.0	5	2,990	2,890	2,800	2,750	2,700	2,590	2,480	-
		18"	4E45	V4E45KØ	1.42	1.70	310	E/T	53	12.2	6	3,770	3,650	3,520	3,460	3,400	3,250	3,080	-
		20"	4E50	V4E50KØ	1.89	2.27	420	E/T	55	11.6	20	4,890	4,730	4,560	4,470	4,390	4,200	4,010	-
		24"	4E63	V4E63KØ	8.29	9.95	1,750	-	70	5.9	22	10,400	10,200	10,000	9,950	9,850	9,700	9,500	8,550
	1000 RPM	22"	6E56	V6E56KØ	2.73	3.28	650	E/T	53	9.9	16	6,450	6,150	5,950	5,850	5,700	5,550	5,250	-
		24"	6E63-3PP-30	V6E63K	1.60	1.92	350	E/T	52	16.3	6	5,700	5,400	5,050	4,850	4,660	4,270	-	-
		24"	6E63	V6E63KØ	2.91	3.49	680	E/T	56	10.5	16	7,150	6,950	5,700	6,600	6,500	6,250	6,000	-
		28"	6E71	V6E71KØ	3.19	3.83	720	E/T	61	11.0	16	7,900	7,650	7,400	7,250	7,100	6,850	6,600	-
	800 RPM	36"	8E92-3PP-25	V8E92K	3.76	4.51	800	T	61	15.1	16	12,100	11,300	10,500	10,100	9,700	8,750	7,750	-

Technical Data three phase 265/460 V / 60 Hz (CFM)

	ø (inch)	Type	Multifan code	I _{nom} (A)	I _{max} (A)	P _{in} (W)	Controllability (*)	CFM/W at 0 SP	0.10 SP			
									0 SP	0.10 SP	0.20 SP	
3 ~265/460V 60 Hz	1600 RPM	12"	4D30	V4D30KØ	0.5/0.3	0.5/0.3	120	T	11.7	1,450	1,325	1,200
		14"	4D35	V4D35KØ	0.9/0.5	1.0/0.6	210	T	10.7	2,250	2,125	1,950
		16"	4D40	V4D40KØ	1.0/0.6	1.0/0.6	300	T	9.3	2,800	2,575	2,350
		18"	4D45	V4D45KØ	1.2/0.7	1.2/0.7	390	T	9.4	3,650	3,400	3,150
		20"	4D50	V4D50KØ	1.9/1.1	2.0/1.2	470	T	10.9	5,200	4,950	4,700
		24"	4D63	V4D63KØ	6.1/3.5	7.3/4.2	1,750	T	6.3	10,700	10,300	9,950
	1000 RPM	28"	4D71	V4D71KØ	7.8/4.5	8.2/4.8	2,400	-	5.5	13,400	12,950	12,600
		22"	6D56	V6D56KØ	1.5/0.9	1.6/0.9	390	T	15.0	4,750	4,200	3,650
		24"	6D63	V6D63KØ	2.4/1.4	2.5/1.5	740	T	10.5	7,900	7,300	6,700

* E = Electronically controllable (electronic voltage control by TRIAC/SCR), T = Trafo controllable (voltage control by transformer), F = (Frequency controllable). A frequency controller in combination with a single-phase motor is possible. The use of an anti-resonance strip is highly recommended. Inform about possibilities.
 ** Sound pressure level measured at 22 feet free blowing distance
 All air capacities without wire guard. All motors meet the IP55 standard.

* E = Electronically controllable (electronic voltage control by TRIAC/SCR), T = Trafo controllable (voltage control by transformer), F = (Frequency controllable). A frequency controller in combination with a single-phase motor is possible. The use of an anti-resonance strip is highly recommended. Inform about possibilities.
 ** Sound pressure level measured at 22 feet free blowing distance
 All air capacities without wire guard. All motors meet the IP55 standard.