

RECIRCULATION FANS

MULTIFAN SERIES

* SUPPLIED WITH STAINLESS STEEL WIREGUARDS (AS AVAILABLE)

MULTIFAN MOTORS MAY BE OPERATED ONE SPEED OR VARIABLE SPEED

** 36" DIAMETER FANS ARE VARIABLE DOWN TO 120 VOLT **

MODEL	DIA.	PART #	VOLT	AMPS	R.P.M.	C.F.M. @ 0" S.P.
MODEL "CF" FANS HAVE GUARDS ON BOTH SIDES - USE FOR CIRCULATION						
* CF12(25)MQ	12"	E54-4582Q	240	1.50	1600	1402
* CF16(25)MQ	16"	E54-4584Q	240	1.50	1600	2742
* CF18(3)MQ	18"	E54-4585QCL	240	1.80	1600	3566
* CF18(3)MQ	18"	E54-4585Q	240	1.80	1600	3566
* CF24(5)MQ	24"	E54-4588Q	240	2.80	1600	5705
CF36MFLEX	36"	E54-4259	240	3.20	770	11,398
MODEL "RE" FANS HAVE INTAKE GUARD ONLY - USE FOR AIR BAG SYSTEM						
* RE12(25)MQ	12"	E54-5582Q	240	1.50	1600	1402
* RE16(25)MQ	16"	E54-5584Q	240	1.50	1600	2742
* RE18(3)MQ	18"	E54-5585QCL	240	1.80	1600	3566
* RE18(3)MQ	18"	E54-5585Q	240	1.80	1600	3566
* RE24(5)MQ	24"	E54-5588Q	240	2.80	1600	5705
MODEL "CR" FANS ARE VERTICALLY MOUNTED RECIRC FANS						
CR16(25)MQ	16"	E54-9224Q	240	1.50	1600	2742
CR20(3)MQ	20"	E54-9226(3)Q	240	1.80	1600	4439

3 YEAR WARRANTY

LEESON PERFORMA+ SERIES

* SUPPLIED WITH STAINLESS STEEL WIREGUARDS (AS AVAILABLE)

LEESON MOTORS MAY BE OPERATED ONE SPEED OR VARIABLE SPEED



MODEL	DIA.	PART #	VOLT	AMPS	R.P.M.	C.F.M. @ 0" S.P.
MODEL "CF" FANS HAVE GUARDS ON BOTH SIDES - USE FOR CIRCULATION						
* CF12LP	12"	E54-4142	115/230	2.6/1.3	1625	1572
* CF16LP	16"	E54-4144	115/230	2.6/1.3	1625	2792
* CF18LP	18"	E54-4145CL	115/230	3.6/1.8	1625	3695
* CF18LP	18"	E54-4145	115/231	3.6/1.9	1625	3695
* CF24LP	24"	E54-4148	115/230	5.2/2.6	1625	6376
MODEL "RE" FANS HAVE INTAKE GUARD ONLY - USE FOR AIR BAG SYSTEM						
* RE12LP	12"	E54-5142	115/230	2.6/1.3	1625	1572
* RE16LP	16"	E54-5144	115/230	2.6/1.3	1625	2792
* RE18LP	18"	E54-5145CL	115/230	3.6/1.8	1625	3695
* RE18LP	18"	E54-5145	115/230	3.6/1.8	1625	3695
* RE24LP	24"	E54-5148	115/230	5.2/2.6	1625	6376
MODEL "CR" FANS ARE VERTICALLY MOUNTED RECIRC FANS						
CR16LP	16"	E54-9124	115/230	2.6/1.3	1625	2792
CR20LP	20"	E54-9126	115/230	3.6/1.8	1625	4770

1 YEAR MOTOR WARRANTY

CIRCULATING FANS

MULTIFAN SERIES

- C/W ENERGY EFFICIENT VARIABLE SPEED **MULTIFAN MOTOR**
- AUTOMATIC THERMAL PROTECTION
- WIRE GUARD ON FRONT AND BACK
- POLYETHYLENE HOUSING
- (INCLUDES 10' CHAIN, 4 "S" HOOKS, 4 SCREW HOOKS TO HANG FROM THE CEILING)

LEESON PERFORMA+ SERIES

- C/W ENERGY EFFICIENT VARIABLE SPEED **LEESON PERFORMA+ MOTOR**
- AUTOMATIC THERMAL PROTECTION
- DUAL VOLTAGE
- WIRE GUARD ON FRONT AND BACK
- (INCLUDES 10' CHAIN, 4 "S" HOOKS, 4 SCREW HOOKS TO HANG FROM THE CEILING)



HANGING HARDWARE

E54-5535

FLAG MOUNT HANGING BRACKET
 (FOR 18" RECIRCULATING FANS ONLY)

RECIRCULATING FANS

MULTIFAN SERIES

- C/W ENERGY EFFICIENT VARIABLE SPEED **MULTIFAN MOTOR**
- AUTOMATIC THERMAL PROTECTION
- WIRE GUARD ON BACK SIDE
- POLYETHYLENE HOUSING
- (INCLUDES 10' CHAIN, 4 "S" HOOKS, 4 SCREW HOOKS TO HANG FROM THE CEILING)

LEESON PERFORMA+ SERIES

- C/W ENERGY EFFICIENT VARIABLE SPEED **LEESON PERFORMA+ MOTOR**
- AUTOMATIC THERMAL PROTECTION
- DUAL VOLTAGE
- WIRE GUARD ON BACK SIDE
- POLYETHYLENE HOUSING
- (INCLUDES 10' CHAIN, 4 "S" HOOKS, 4 SCREW HOOKS TO HANG FROM THE CEILING)

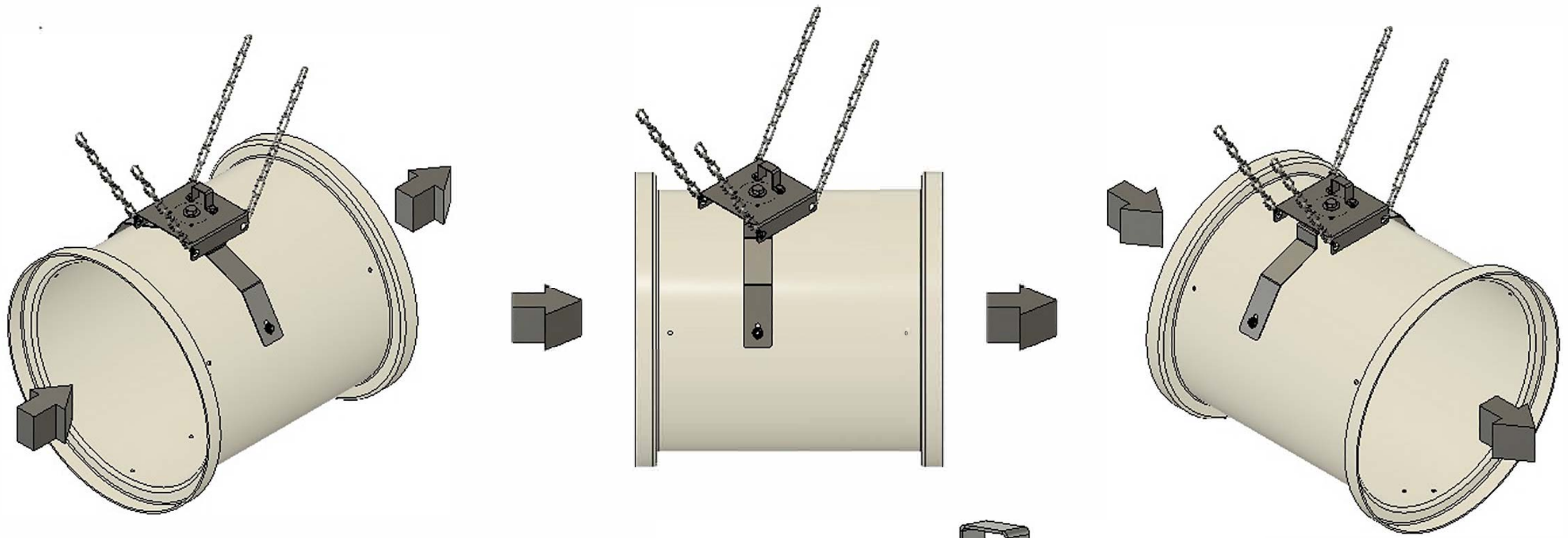


VERTICAL MOUNTED CIRCULAR RECIRC. FAN

AVAILABLE WITH LEESON MOTOR and MULTIFAN MOTOR

- C/W ENERGY EFFICIENT VARIABLE SPEED MOTORS
- AUTOMATIC THERMAL PROTECTION
- POLYETHYLENE HOUSING AND PVC DIRECTIONAL WIND VANES
 (INCLUDES 10' CHAIN, 4 "S" HOOKS AND 4 SCREW HOOKS TO HANG FROM CEILING.)





Swivel Hanging Bracket E54-5533

Allows for angular locations of 30, 45, 60, and 90 degrees

Naturally balanced as it fastens to the existing fan studs

All stainless components

