

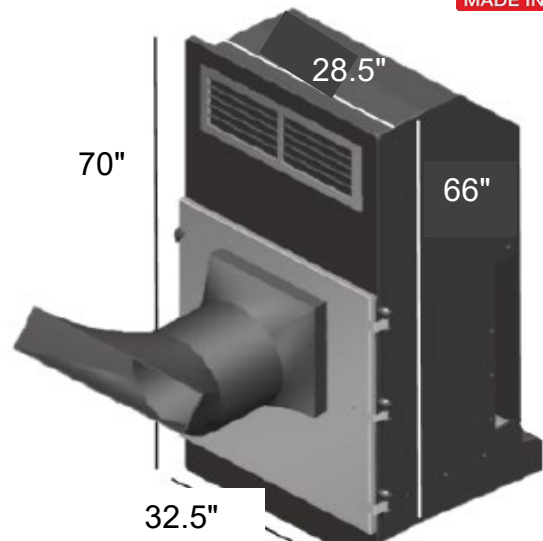
AVI → AIR
 Heat Exchanger

Avi35



Characteristics

- Recovery Mode air flow is 1500CFM
- Evacuation Mode air flow is 3200 CFM
- 35 square meters of heat exchange surface (377 sq.ft.)
- Up to five washing cycles
- Intelligent de-icing cycles
- Insulated polypropylene housing and door



R.S.O. 29.00"W x 66.50"H

AVI-28 Controller



- Can control up to 7 heat exchangers
- Daily washing cycles
- Intelligent de-icing cycles
- FarmQuest compatible

Genius Compatible



The Avi-28 features are programmed into the larger Genius Itouch controller.



PART #	DESCRIPTION
E58-0135EC	Avi35 with EC MOTORS W/O 2WAY CONT.
E58-0135	Avi35 HYBRID HEAT RECOVERY UNIT
E58-0135MX	Avi35 HYBRID W/O 2WAY CONTACTOR
E58-0122	AVI-28 CONTROLLER *CALL SALES FOR INFO



REPLACEMENT PARTS
ON NEXT PAGE

IF 2 WAY CONTACTOR (PART# E58-0120) IS NOT REQUIRED, USE PART # E58-0135MX

CALL TO CONFIRM APPLICABLE DISCOUNT



AVI-AIR REPLACEMENT PARTS AND ACCESSORIES

PART #	DESCRIPTION
E58-0120	TWO WAY CONTACTOR
E58-0121	SOLENOID VALVE (VALVE, SOLENOID AND BLACK DIN)
E50-1218QAV	2E35Q 240V AVI-AIR MOTOR BLACK
E50-3023AV	2E35 14" MF FAN BLADE 25° TOP EXHAUST BLADE CUT TO 13-3/4" BOTTOM INTAKE BLADE CUT TO 14-1/8"
E58-0110	AVI-35 ONE PIECE CORE
E58-0111	AVI-35 TWO PIECE CORE
E58-0123	AVI-35 NOZZLE CLEANING KIT (INCL. 1/4 TO 1/8 N.T.P AND COUPLER)
E52-6560HD	AVI-35 WINTER COVER (EXHAUST)
E52-6561HD	AVI-35 WINTER COVER (INTAKE) NEW IN 2024 (16"SQ.)
E52-6562HD	AVI-35 WINTER COVER (INTAKE) PRIOR TO 2024 (32-3/8"x26-7/8")

